

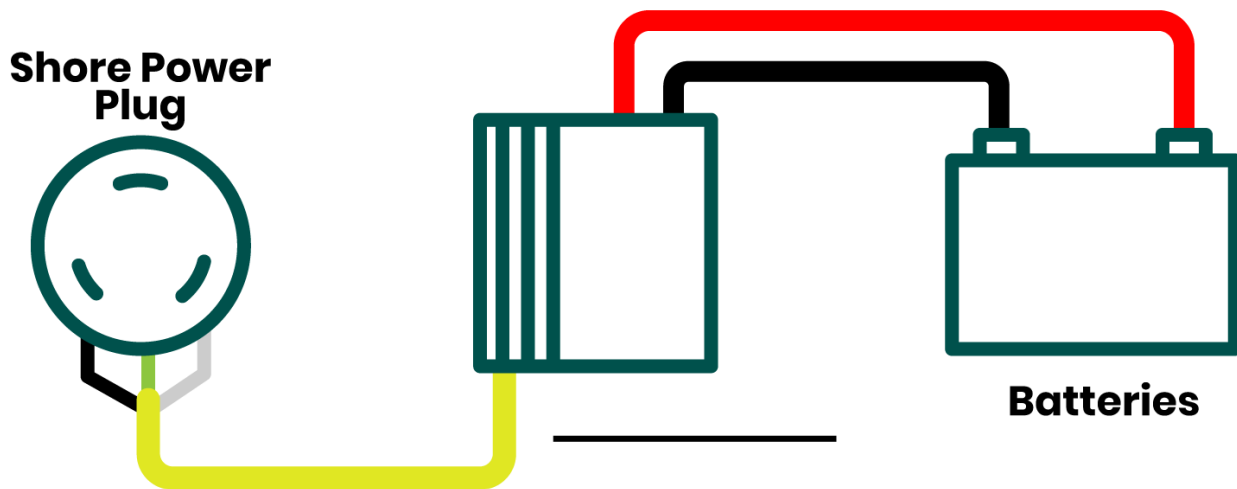
Chapter 4 Power Gear



Converter

Your converter has two functions:

1. It takes the 30- or 50-amp power from being plugged in at a campground and _____ it to 12 volt.
2. It uses that converted 12-volt power to _____ your batteries and run your 12-volt appliances.



The converter has to be set to charge your battery _____.

Converters may have 12-volt _____ fuses on them (or near them) that can burn out just like any fuse.

Chapter 4 Power Gear



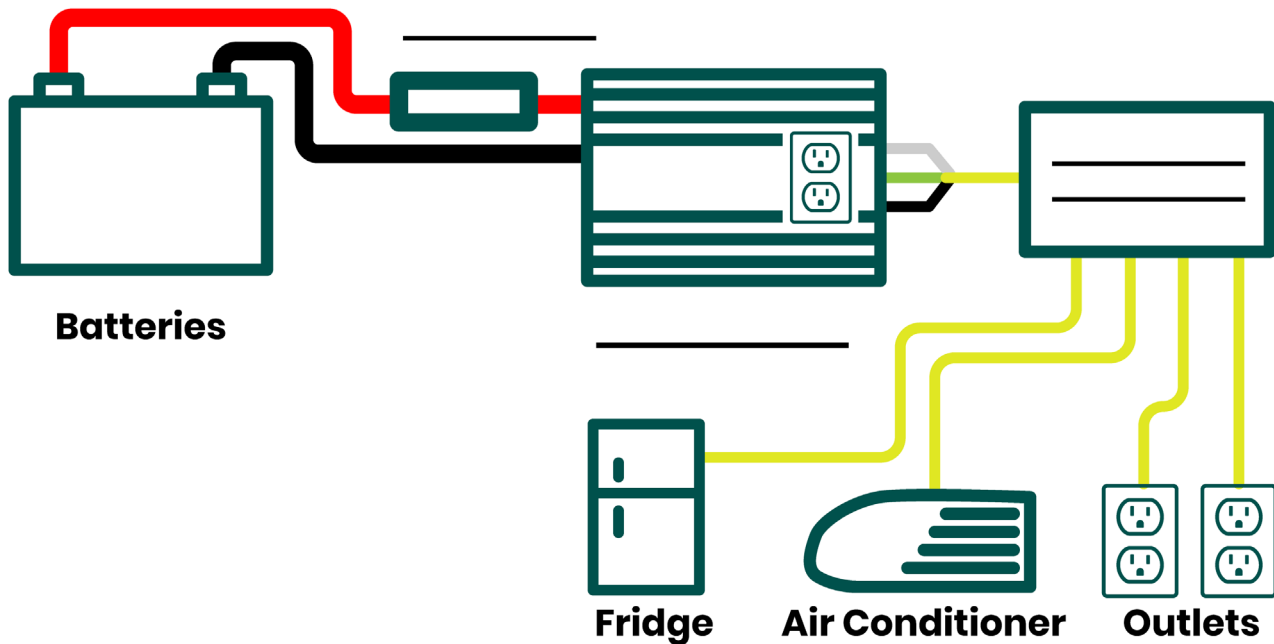
I Inverter

An inverter “inverts” your 12-volt battery power to run _____ volt appliances and outlets.

The amount of _____ your inverter can put out determines what you can plug in.

The _____ of your battery bank will dictate how long you can run that item for.

Wiring Diagram



Chapter 4 Power Gear



I Inverter (Continued)

Should your inverter or AC appliance stop working, there are a few places to check:

1. The _____ plug on the inverter may have tripped → it needs to be reset.
2. The _____ may have reached its limit and tripped → it has to be turned off and back on.
3. Another _____ plug may have tripped → track them all down and reset.
4. A _____ breaker may have tripped in your breaker box → it needs to be reset.
5. The large _____ fuse may have blown → replace it.

Just having the inverter on will draw _____ amps even if you aren't running anything on AC power.

The most common issue you'll run into with an inverter is _____ it.

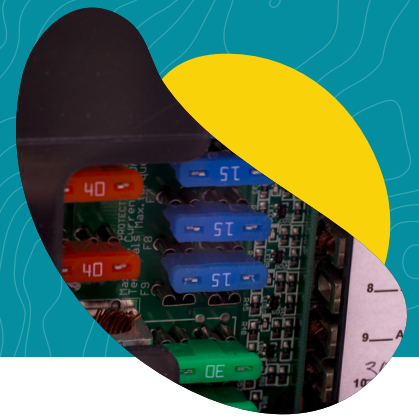
I Fuses

There are multiple layers of _____ built into your RV power system.

On the 12-volt side, _____ fuses are the most common way to cut power to an appliance if it starts acting up.

Plan for _____ times the maximum amps an appliance will put out.

Chapter 4 Power Gear



Circuit Breakers

On the AC or 120-volt side of your power, _____ are used instead of blade fuses.

This is similar to the distribution _____ in your house.

Overall the idea here is very similar to the 12-volt circuits. Major appliances get their own line, some or all outlets may be grouped together. The circuit is sized to match the output. The goal is to protect the system if an appliance or plugged-in item tries to use more power than it's rated for.

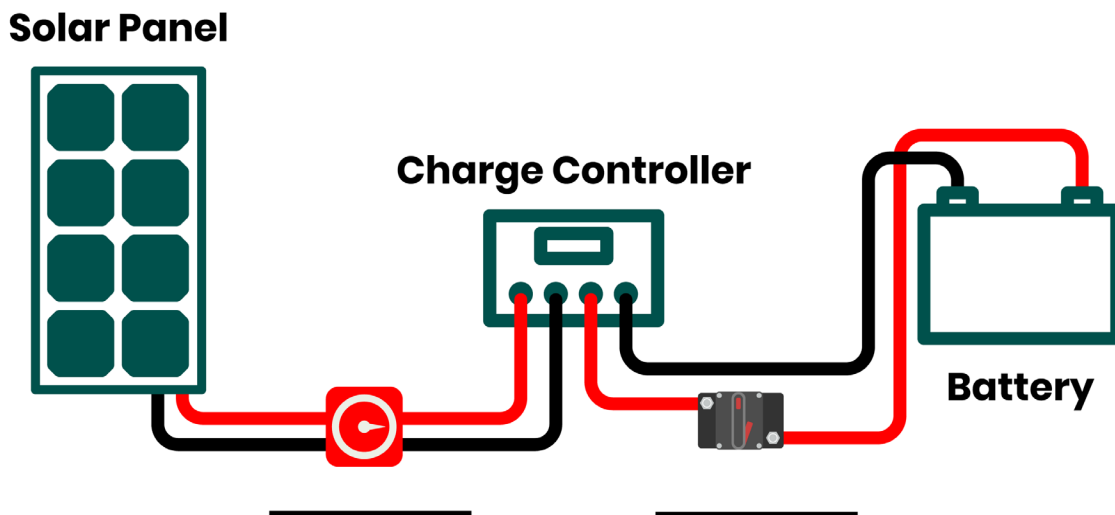
A circuit breaker doesn't blow or need to be replaced. It just _____ and shuts off.

Solar Charge Controller

A solar charge controller needs to be set specifically to your battery _____ so it can _____ and _____ without overcharging the batteries.

_____ chargers will actually squeeze more charging power out of your panels.

Wiring Diagram



Chapter 4 Power Gear



| BMS

A battery _____ system is required if you have lithium batteries.

A BMS will keep track of the _____ and _____ of each cell.

It also helps _____ the cells' voltage against one another to elongate their life.